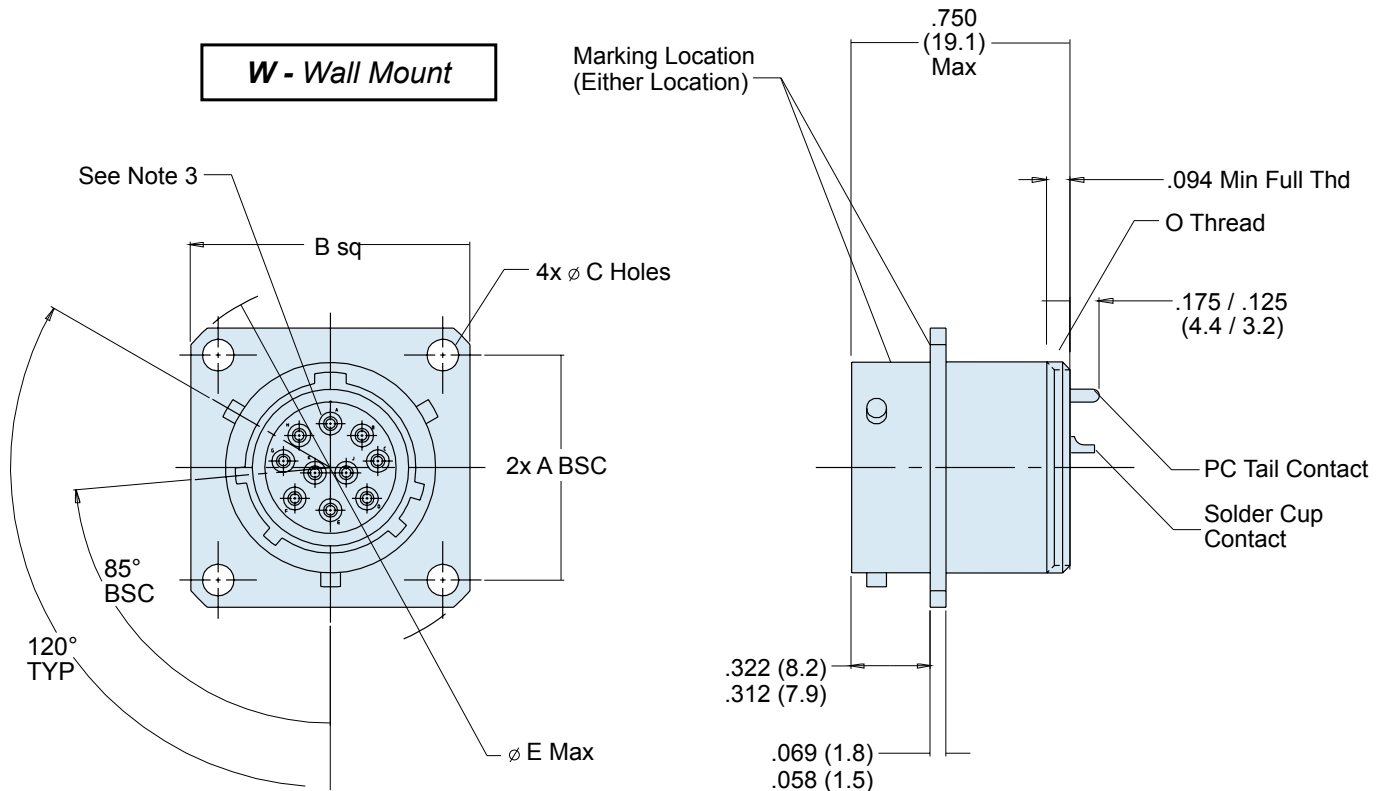


C



# 240-382W MIL-DTL-38999 Series II Filter Connector Wall Mount Receptacle

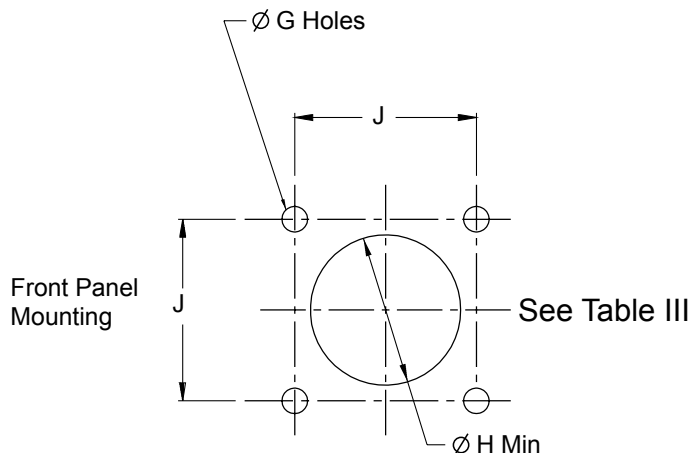


TABLE II: CAPACITOR ARRAY CODE CAPACITANCE RANGE		
CLASS	PI - CIRCUIT (pF)	C - CIRCUIT (pF)
X*	160,000 - 240,000	80,000 - 120,000
Y*	80,000 - 120,000	40,000 - 60,000
Z*	60,000 - 90,000	30,000 - 45,000
A	38,000 - 56,000	19,000 - 28,000
B	32,000 - 45,000	16,000 - 22,500
C	18,000 - 33,000	9,000 - 16,500
D	8,000 - 12,000	4,000 - 6,000
E	3,300 - 5,000	1,650 - 2,500
F	800 - 1,300	400 - 650
G	400 - 600	200 - 300

TABLE I: CONNECTOR CLASS			
SYM	CLASS	MATERIAL	FINISH DESCRIPTION
M	Environmental	Aluminum	Electroless Nickel
MT	Environmental	Aluminum	Ni-PTFE 1000 Hour Grey™ Nickel Fluorocarbon Polymer
NF	Environmental	Aluminum	Cadmium O.D. Over Electroless Nickel
P	Environmental	Stainless Steel	Electro-Deposited Nickel
ZN	Environmental	Aluminum	Zinc-Nickel Over Electroless Nickel

\* Reduced DWV – Please consult factory.

Consult Factory for Additional Filter Types, TVS Diodes, and other Custom Filter Connector Configurations.

TABLE III: SQUARE FLANGE PANEL CUT-OUTS			
Shell Size	Ø G Holes	Ø H Min	Ø J BSC
8	.133 (3.4)	.570	.594
	.123 (3.1)	(14.5)	(15.1)
10	.133 (3.4)	.690	.719
	.123 (3.1)	(17.5)	(18.3)
12	.133 (3.4)	.820	.812
	.123 (3.1)	(20.8)	(20.6)
14	.133 (3.4)	.940	.906
	.123 (3.1)	(23.9)	(23.0)
16	.133 (3.4)	1.070	.969
	.123 (3.1)	(27.2)	(24.6)
18	.133 (3.4)	1.190	1.062
	.123 (3.1)	(30.2)	(27.0)
20	.133 (3.4)	1.320	1.156
	.123 (3.1)	(33.5)	(29.4)
22	.159 (4.0)	1.440	1.250
	.149 (3.8)	(36.6)	(31.8)
24	.159 (4.0)	1.570	1.375
	.149 (3.8)	(39.9)	(34.9)

TABLE IV: CONNECTOR DIMENSIONS					
Shell Size	A BSC	B SQ Max	Ø C Holes	D Threads	Ø E Max
8	0.594 (15.1)	0.828 (21.0)	.130 (3.3) .115 (2.9)	.5625-24 UNEF-2A	1.078 (27.4)
	0.719 (18.3)	0.954 (24.2)	.130 (3.3) .115 (2.9)	.6875-24 UNEF-2A	1.256 (31.9)
12	0.812 (20.6)	1.047 (26.6)	.130 (3.3) .115 (2.9)	.8125-20 UNEF-2A	1.391 (35.3)
	0.906 (23.0)	1.141 (29.0)	.130 (3.3) .115 (2.9)	.9375-20 UNEF-2A	1.516 (38.5)
16	0.969 (24.6)	1.234 (31.3)	.130 (3.3) .115 (2.9)	1.0625-18 UNEF-2A	1.641 (41.7)
	1.062 (27.0)	1.328 (33.7)	.130 (3.3) .115 (2.9)	1.1875-18 UNEF-2A	1.766 (44.9)
20	1.156 (29.4)	1.453 (36.9)	.130 (3.3) .115 (2.9)	1.3125-18 UNEF-2A	1.891 (48.0)
	1.25 (31.8)	1.578 (40.1)	.130 (3.3) .115 (2.9)	1.4375-10 UNEF-2A	2.016 (51.2)
24	1.375 (34.9)	1.703 (43.3)	.157 (4.0) .142 (3.6)	1.5625-18 UNEF-2A	2.204 (56.0)